

PRO LINE

In-ground Scissor Lift



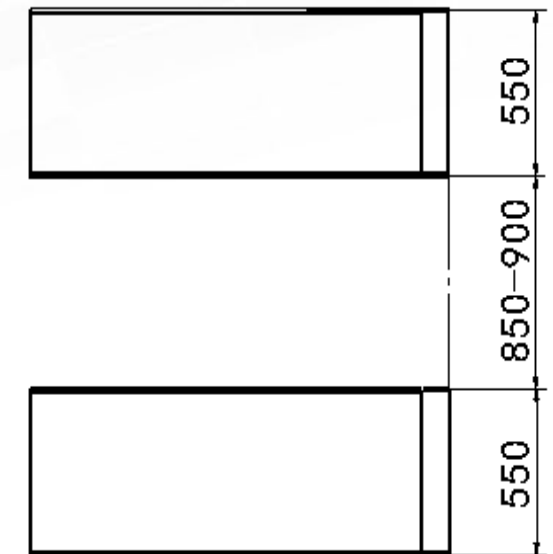
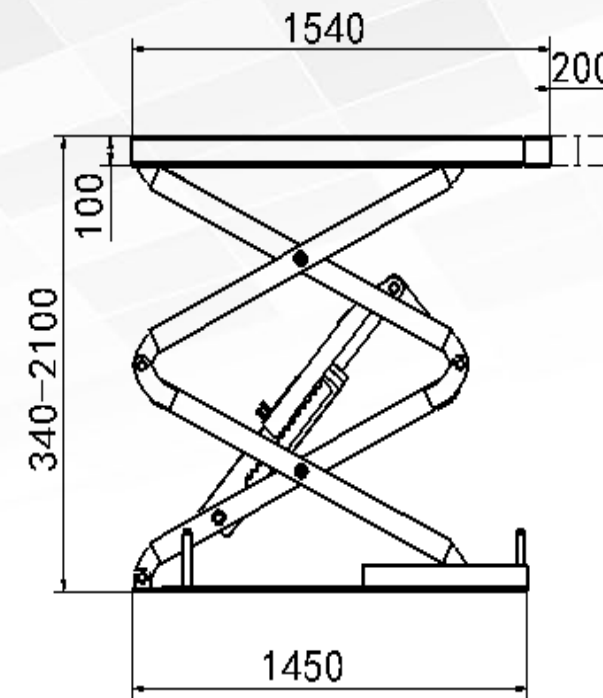
3000 | KG

3500 | KG



CAV J-30/CAV J-35

Overall dimension



Highlights

- Perfect lift for painting jobs and bodywork, brakes and tire service
- High-precision manufacturing by laser cutting and robotic welding
- Robust and less sensitive hydraulic drive, almost maintenance-free
- Suitable for in-ground installation
- The double master and slave system ensures an even lifting and lowering of the scissors which permanently controls the synchronization of the lift
- With mechanical rocker arm system, in order to lift with full power
- Extendible platform from one side
- Lifting and lowering with push button control
- Pneumatic safety unlocking system emergency lowering system for lowering in case of power failure, CE stop and signal sound
- Powder-coated
- Partial galvanizing and double powder coating
- Each lift passes the test of 115% dynamic load and 150% static load, safe and reliable

Technical

	CAV J-30	CAV J-35
Capacity	3000kg	3500kg
Max.Lifting height	2100mm	2100mm
Min.height	340mm	340mm
Platform length	1540mm-1740mm	1540mm-1740mm
Lifting time	45-50s	45-50s
Power of motor	2.2kW	2.2kW